



Side Lap Fastening Solutions

for DYNAGLAS® Plus Panels

Technical & Installation Guide



Contents






A. Lap Clip System Components	1
B. Lap Clip Installation Guidelines	1
C. Side Lap Profile System Components	3
D. Side Lap Profile Installation Guidelines	3

DYNAGLAS® Plus, the gold standard in greenhouse roofing with over 300M square feet installed in greenhouses around the globe, now offers a unique closure solution. The Side Lap Profile and the Lap Clip help maintain an air-tight seal between the DYNAGLAS corrugated sheets, providing more efficient environmental control. The new closure solution is designed to prevent energy loss, damage by strong winds, and internal infiltration of dust, insects and water.

DYNAGLAS polycarbonate sheets offer high impact resistance, excellent durability, and 99.9% UV blocking. Available in multiple tints including clear, SolarSoft™, white/opal, and solar gray, DYNAGLAS PLUS also features built-in condensate control that carries a 10-year warranty.

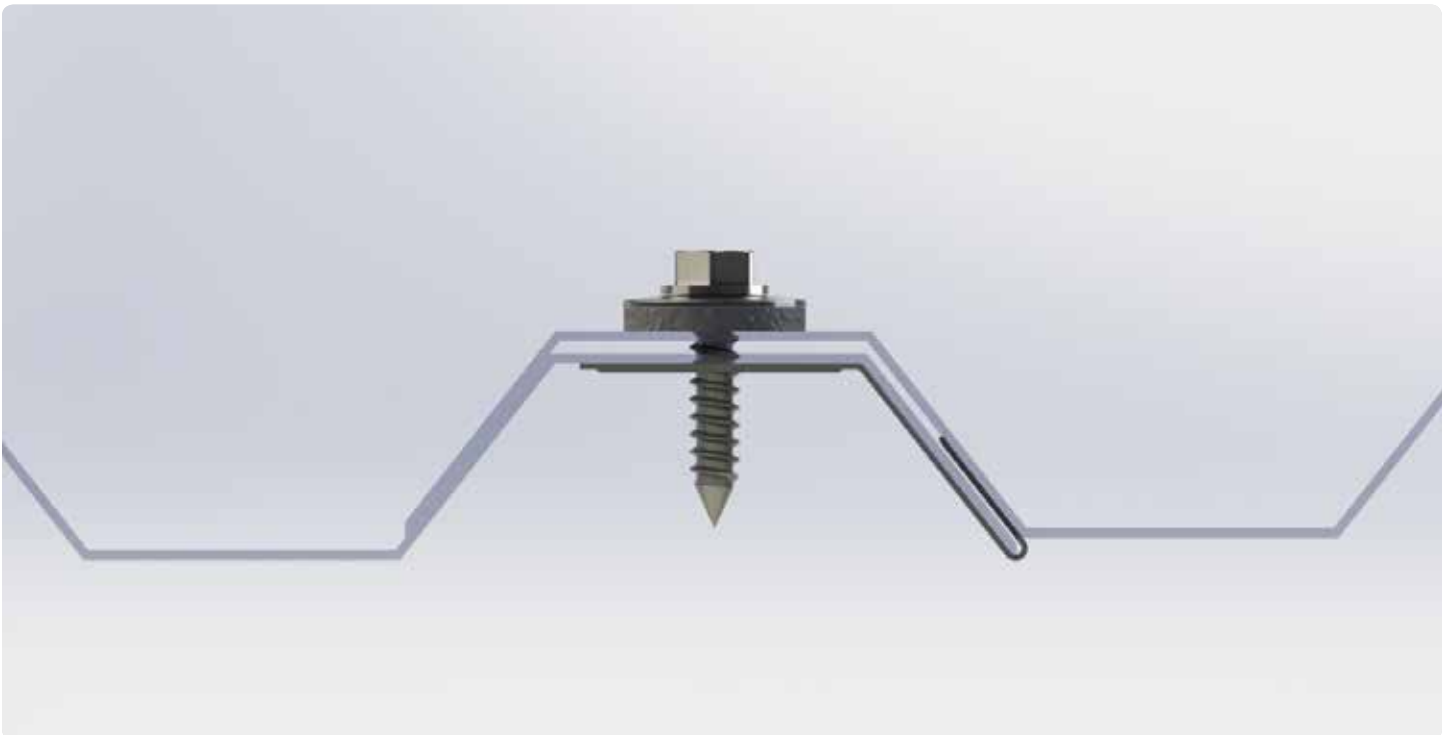


A. Lap Clip* System Components

Component Description		
Lap clip - Greca		
#10 x 3/4" self tapping screw with 5/8" washer/gasket fixed with lap clip at corrugation overlaps.		
1/4" x 2" self drilling screw with 3/4" gasket/washer fixed on corrugation crests, into the purlins.		

B. Lap Clip* Installation Guidelines

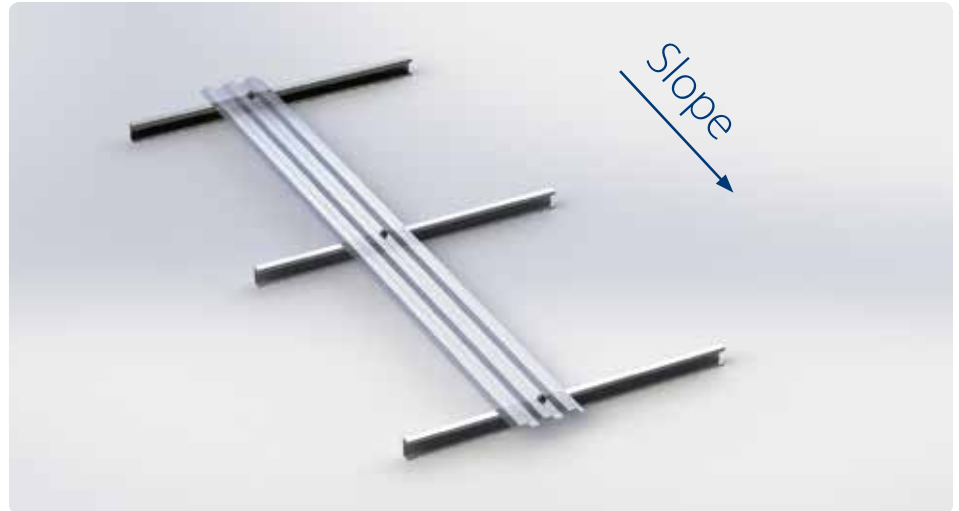
Side Elevation - Greca



*Patent Pending

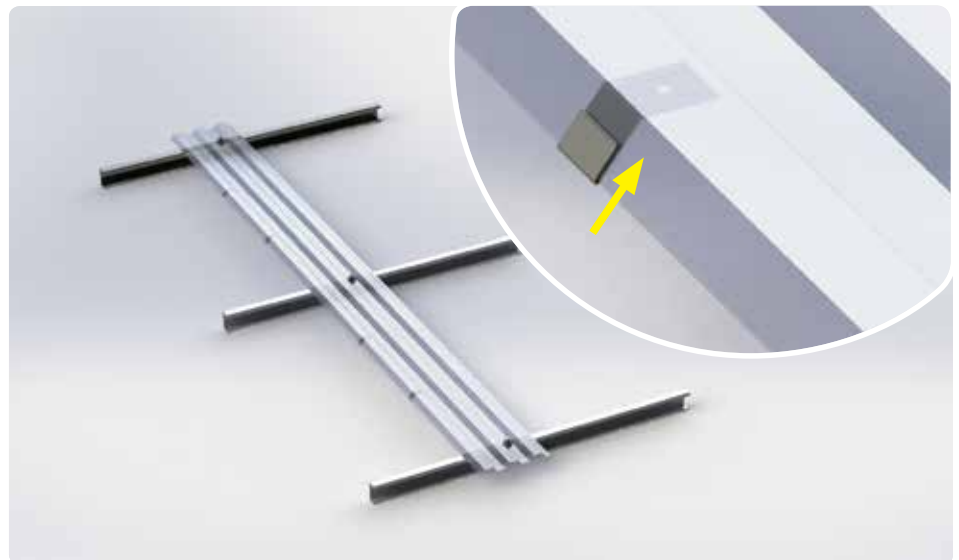
Step 1

Install the first DYNAGLAS Plus sheet according to Palram's installation instructions.



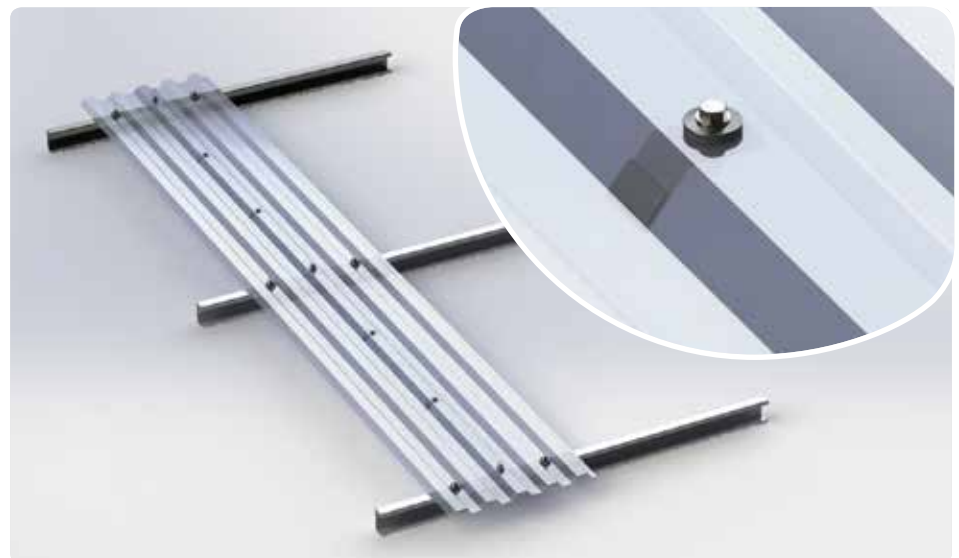
Step 2

Place the lap clips between purlins at gaps of 11"-15" from one another.



Step 3

Place the top sheet with corrugation over the lap clip. Insert #10 x 3/4" screw with 5/8" washer/gasket through the side lap corrugations and the lap clip bore. Use 1/4" x 2" self drilling screw with 3/4" washer/gasket above purlins.



C. Side Lap Profile System Components

Component Description		
Side lap profile top part - Greca		
Side lap profile bottom part - Greca		
1/4" x 3/4" self tapping screw with 3/4" gasket/washer fixed on corrugation crest, into the lap profiles and DYNAGLAS Plus corrugation crests.		
1/4" x 2" self drilling screw with 19mm washer/gasket fixed on corrugation crest above purlins.		

Side Elevation - Greca

D. Side Lap Profile Installation Guidelines



*Patent Pending

Step 1

Preparation for installation

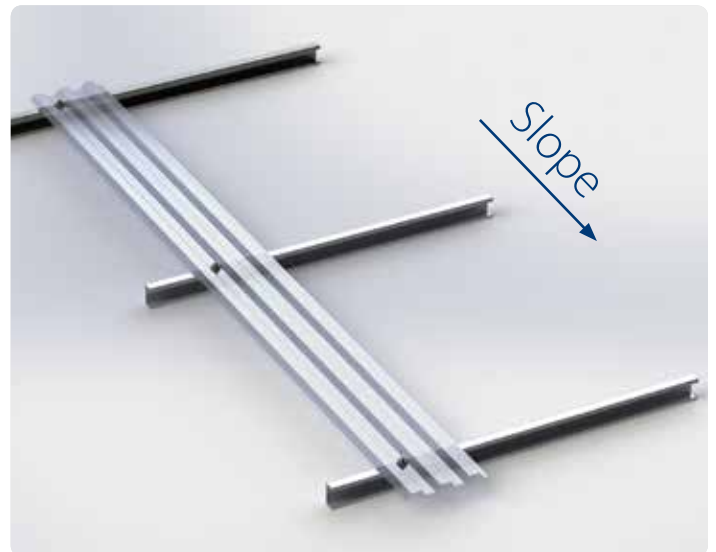
Fix top and bottom parts of side lap profile to match one another using adjustable pliers. Take the dimensions from the structure.

Using $\frac{7}{32}$ " drill, prepare bores through the side lap profiles at distance of 11"-15" from one another.



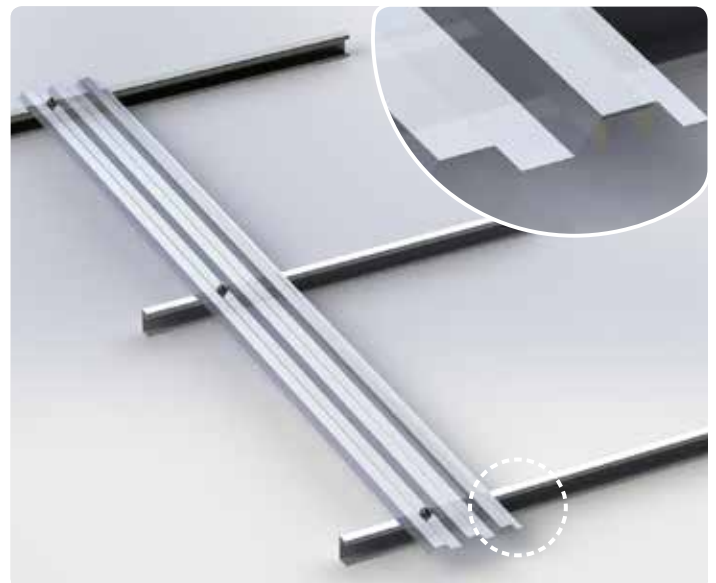
Step 2

Install the first DYNAGLAS Plus sheet according to Palram's installation instructions.



Step 3

Place bottom part of side lap profile under the last corrugation crest.



Step 4

Install the next DYNAGLAS Plus sheet, first corrugation crest overlaps the previous sheet.

Install the top part of the side lap profile above the DYNAGLAS Plus sheets.

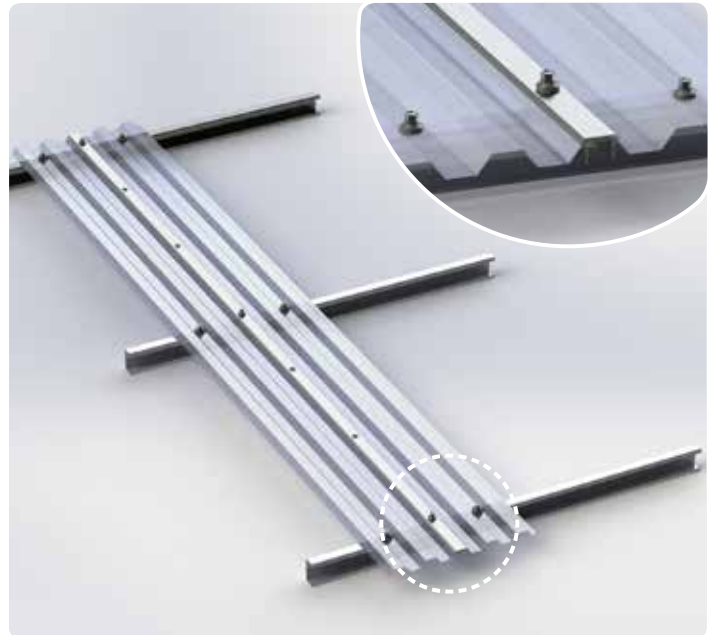
Locate the bores exactly above the bottom part bores.



Step 5

Above purlins Install using $\frac{1}{4}$ " x 2" self drilling screw with $\frac{3}{4}$ " washer/gasket.

Between purlins install using $\frac{1}{4}$ " x $\frac{3}{4}$ " self tapping screw with $\frac{3}{4}$ " washer/gasket.



Product images are for illustrative purposes only and may differ from the actual product





Palram AMERICAS
Kutztown, PA, USA
Tel: 610.285.9918
Fax: 610.285.9928
Palramamericas@Palram.com



Authorized Distributor

F3408 07.05.2017 PRW

In as much as Palram Industries has no control over the use to which others may put the material, it does not guarantee that the same results as those described herein will be obtained. Each user of the material should make his own tests to determine the material's suitability for his own particular use. Statements concerning possible or suggested uses of the materials described herein are not to be construed as constituting a license under any Palram Industries patent covering such use or as recommendations for use of such materials in the infringement of any patent. Palram Industries or its distributors cannot be held responsible for any losses incurred through incorrect installation of the material. In accordance with our company policy of continual product development you are advised to check with your local Palram Industries supplier to ensure that you have obtained the most up to date information.

©2017 Palram Industries Ltd. | DYNAGLAS is a registered trademark of Palram Industries Ltd.

