



DEPARTMENT OF REGULATORY AND ECONOMIC RESOURCES (RER)  
BOARD AND CODE ADMINISTRATION DIVISION

MIAMI-DADE COUNTY  
PRODUCT CONTROL SECTION  
11805 SW 26 Street, Room 208  
Miami, Florida 33175-2474  
T (786) 315-2590 F (786) 315-2599

**NOTICE OF ACCEPTANCE (NOA)**

[www.miamidade.gov/economy](http://www.miamidade.gov/economy)

**Palram Americas, Inc.**  
9735 Commerce Circle  
Kutztown, PA 19530

**SCOPE:**

This NOA is being issued under the applicable rules and regulations governing the use of construction materials. The documentation submitted has been reviewed and accepted by Miami-Dade County RER- Product Control Section to be used in Miami Dade County and other areas where allowed by the Authority Having Jurisdiction (AHJ).

This NOA shall not be valid after the expiration date stated below. The Miami-Dade County Product Control Section (In Miami Dade County) and/or the AHJ (in areas other than Miami Dade County) reserve the right to have this product or material tested for quality assurance purposes. If this product or material fails to perform in the accepted manner, the manufacturer will incur the expense of such testing and the AHJ may immediately revoke, modify, or suspend the use of such product or material within their jurisdiction. RER reserves the right to revoke this acceptance, if it is determined by Miami-Dade County Product Control Section that this product or material fails to meet the requirements of the applicable building code.

This product is approved as described herein, and has been designed to comply with the High Velocity Hurricane Zone of the Florida Building Code.

**DESCRIPTION: 0.031" (min.) Corrugated Polycarbonate Panel for Canopy**

**APPROVAL DOCUMENT:** Drawing No. KC18-0219, titled "Corrugated Polycarbonate Canopy Panel", sheet 1 of 1, dated March 26, 2018, prepared by Knezevich Consulting, LLC, signed and sealed by J.W. Knezevich, P.E., bearing the Miami-Dade County Product Control Revision stamp with the Notice of Acceptance number and the expiration date by the Miami-Dade County Product Control Section.

**MISSILE IMPACT RATING: None**

**LABELING:** Each panel shall bear a permanent label with the manufacturer's name or logo, city, state and the following statement: "Miami-Dade County Product Control Approved", unless otherwise noted herein.

**RENEWAL** of this NOA shall be considered after a renewal application has been filed and there has been no change in the applicable building code negatively affecting the performance of this product.

**TERMINATION** of this NOA will occur after the expiration date or if there has been a revision or change in the materials, use, and/or manufacture of the product or process. Misuse of this NOA as an endorsement of any product, for sales, advertising or any other purposes shall automatically terminate this NOA. Failure to comply with any section of this NOA shall be cause for termination and removal of NOA.

**ADVERTISEMENT:** The NOA number preceded by the words Miami-Dade County, Florida, and followed by the expiration date may be displayed in advertising literature. If any portion of the NOA is displayed, then it shall be done in its entirety.

**INSPECTION:** A copy of this entire NOA shall be provided to the user by the manufacturer or its distributors and shall be available for inspection at the job site at the request of the Building Official.

This NOA **revises and renews** NOA #15-1207.08 and consists of this page 1, evidence submitted pages E-1, E-2 & E-3 as well as approval document mentioned above.

The submitted documentation was reviewed by **Helmy A. Makar, P.E., M.S.**



*Helmy A. Makar*  
07/26/2018

NOA No. 18-0328.03  
Expiration Date: 08/28/2023  
Approval Date: 07/26/2018  
Page 1

**Palram Americas, Inc.**

**NOTICE OF ACCEPTANCE: EVIDENCE SUBMITTED**

**1. EVIDENCE SUBMITTED UNDER PREVIOUS APPROVAL #08-0709.14**

**A. DRAWINGS**

1. *Drawing No. 08-122, titled " Corrugated Polycarbonate Canopy Panel ", sheet 1 of 1, dated 06/27/2008, prepared by Knezevich Associates Consulting Engineers, signed and sealed by V.J. Knezevich, P.E., on 06/27/2008.*

**B. TESTS**

1. *Test report on Uniform Static Air Pressure Test on a Corrugated Polycarbonate Panel for Canopy, prepared by Construction Testing Corporation, Report No. 08-011, dated June 23, 2008, signed and sealed by Yamil G. Yuri, P.E.*

**C. CALCULATIONS**

1. *Calculations titled "Corrugated Polycarbonate Panel, dated June 30, 2008, pages 1 through 24, prepared by Knezevich Associates Consulting Engineers, signed and sealed by V.J. Knezevich, P.E.*

**D. QUALITY ASSURANCE**

1. *By Miami-Dade County Building Code Compliance Office.*

**E. MATERIAL CERTIFICATION:**

1. *None.*

**2. EVIDENCE SUBMITTED UNDER PREVIOUS APPROVAL #12-0110.03**

**A. DRAWINGS**

1. *Drawing No. 12-102, titled " Corrugated Polycarbonate Canopy Panel ", sheet 1 of 1, dated 01/04/2012, prepared by Knezevich Associates Consulting Engineers, signed and sealed by V.J. Knezevich, P.E., on 01/04/2012.*

**B. TESTS**

1. *None.*

**C. CALCULATIONS**

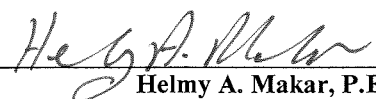
1. *None.*

**D. QUALITY ASSURANCE**

1. *By Miami-Dade County Department of Permitting, Environment, and Regulatory Affairs (PERA).*

**E. MATERIAL CERTIFICATION:**

1. *None.*



Helmy A. Makar, P.E., M.S.  
Product Control Section Supervisor  
NOA No. 18-0328.03  
Expiration Date: 08/28/2023  
Approval Date: 07/26/2018

**Palram Americas, Inc.**

**NOTICE OF ACCEPTANCE: EVIDENCE SUBMITTED**

**3. EVIDENCE SUBMITTED UNDER PREVIOUS APPROVAL #13-0418.05**

**A. DRAWINGS**

1. *Drawing No. 12-102, titled "Corrugated Polycarbonate Canopy Panel", sheet 1 of 1, dated 01/04/2012, last revision #1 dated April 09, 2013, prepared by Knezevich Associates Consulting Engineers, signed and sealed by V.J. Knezevich, P.E.*

**B. TESTS**

1. *None.*

**C. CALCULATIONS**

1. *None.*

**D. QUALITY ASSURANCE**

1. *By Miami-Dade County Department of Regulatory and Economic Resources.*

**E. MATERIAL CERTIFICATION:**

1. *None.*

**4. EVIDENCE SUBMITTED UNDER PREVIOUS APPROVAL #15-1207.08**

**A. DRAWINGS**

1. *Drawing No. KC15-0806, titled "Corrugated Polycarbonate Canopy Panel", sheet 1 of 1, dated October 19, 2015, prepared by Knezevich Consulting, LLC, signed and sealed by J.W. Knezevich, P.E.*

**B. TESTS**

1. *None.*

**C. CALCULATIONS**

1. *Calculations titled "Corrugated Polycarbonate Panel, dated 11/30/2015, 1 page, prepared by Knezevich Consulting, LLC, signed and sealed by J.W. Knezevich, P.E.*

**D. QUALITY ASSURANCE**

1. *By Miami-Dade County Department of Regulatory and Economic Resources.*

**E. MATERIAL CERTIFICATION**

1. *None.*

**F. STATEMENTS**

1. *Letter of compliance with the Florida Building Code 2014 Edition, issued by Knezevich Consulting, LLC, dated November 30, 2015, signed and sealed by J.W. Knezevich, P.E.*



Helmy A. Makar, P.E., M.S.  
Product Control Section Supervisor

NOA No. 18-0328.03

Expiration Date: 08/28/2023

Approval Date: 07/26/2018

**Palram Americas, Inc.**

**NOTICE OF ACCEPTANCE: EVIDENCE SUBMITTED**

**5. NEW EVIDENCE SUBMITTED**

**A. DRAWINGS**

1. *Drawing No. KC18-0219, titled " Corrugated Polycarbonate Canopy Panel ", sheet 1 of 1, dated March 26, 2018, prepared by Knezevich Consulting, LLC, signed and sealed by J.W. Knezevich, P.E.*

**B. TESTS**

1. *None.*

**C. CALCULATIONS**

1. *None.*

**D. QUALITY ASSURANCE**

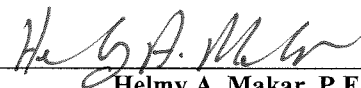
1. *By Miami-Dade County Department of Regulatory and Economic Resources.*

**E. MATERIAL CERTIFICATION**

1. *None.*

**F. STATEMENTS**

1. *Letter of compliance with the Florida Building Code 2017 Edition, issued by Knezevich Consulting, LLC, dated March 26, 2018, signed and sealed by J.W. Knezevich, P.E.*



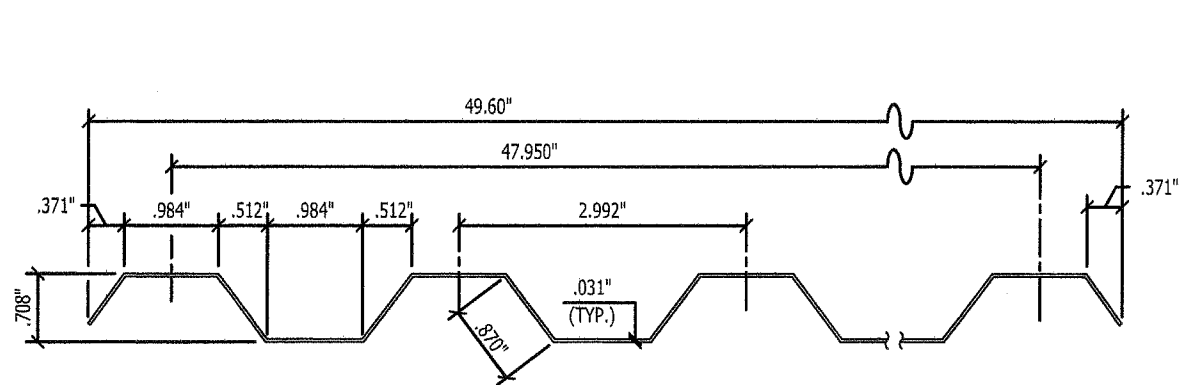
---

**Helmy A. Makar, P.E., M.S.**  
**Product Control Section Supervisor**

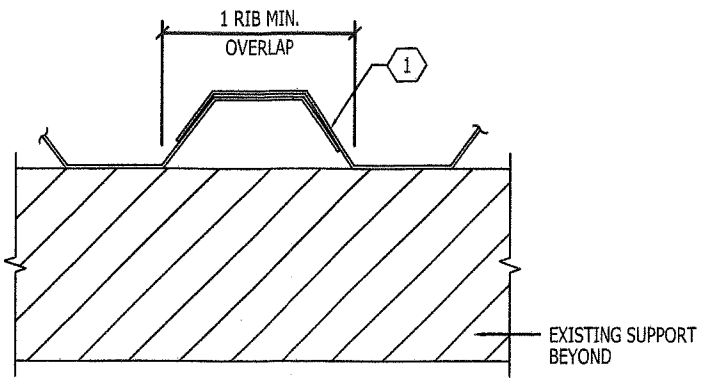
**NOA No. 18-0328.03**

**Expiration Date: 08/28/2023**

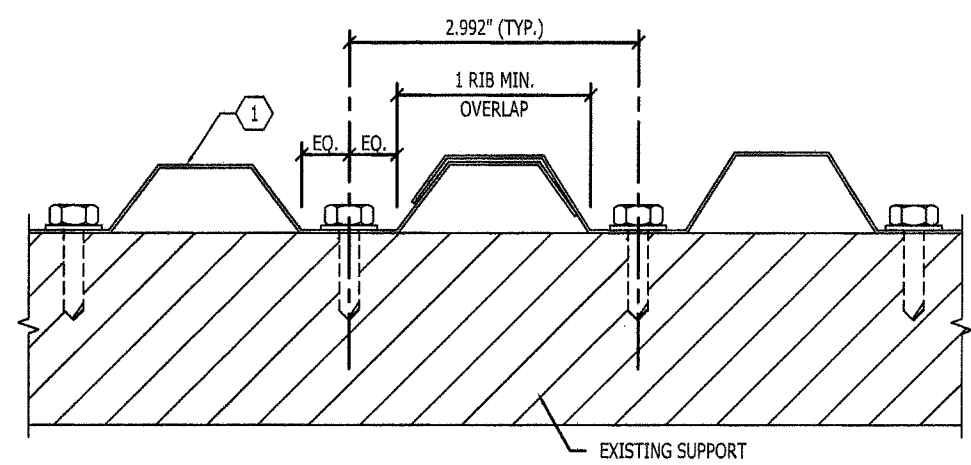
**Approval Date: 07/26/2018**



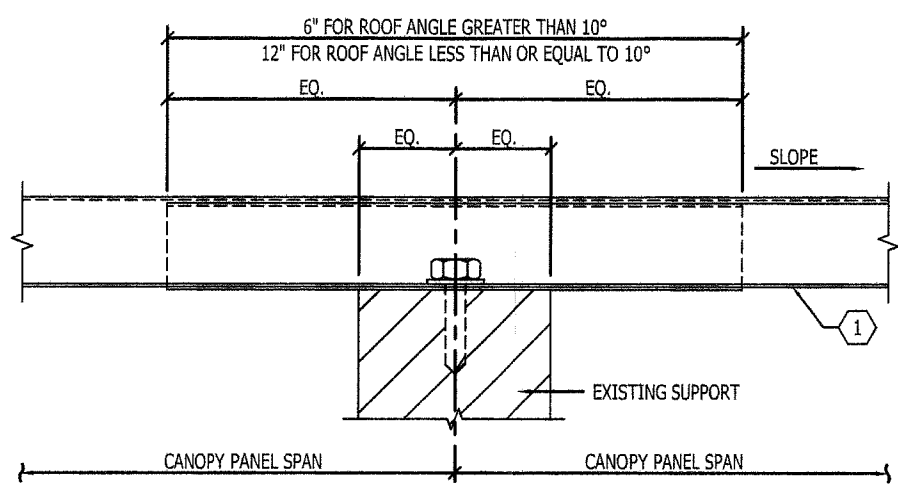
**1 CORRUGATED POLYCARBONATE CANOPY PANEL - "GRECA"**  
SCALE: HALF SIZE



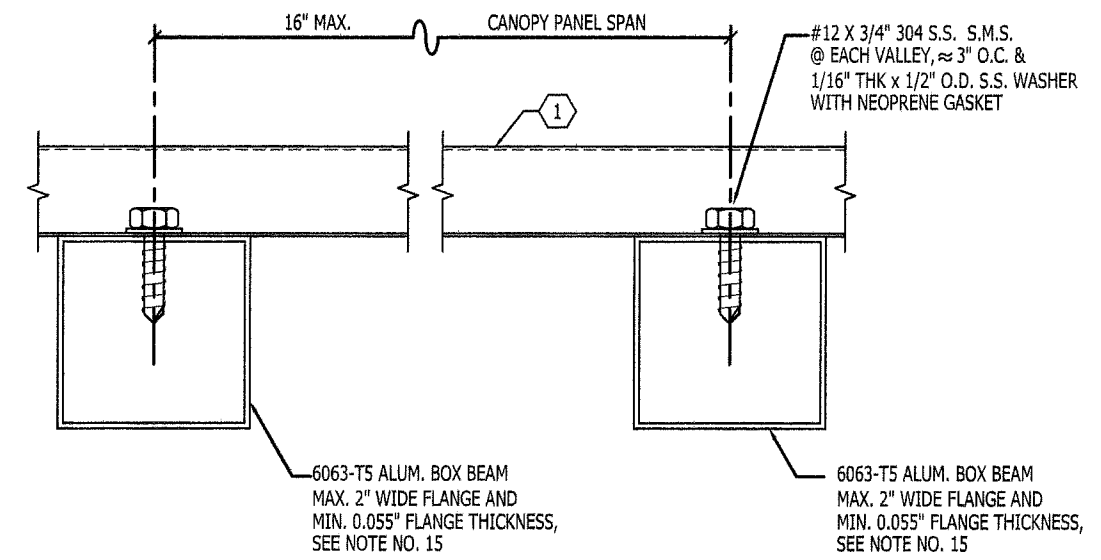
**2 SIDE LAP BETWEEN PURLIN**  
SCALE: HALF SIZE



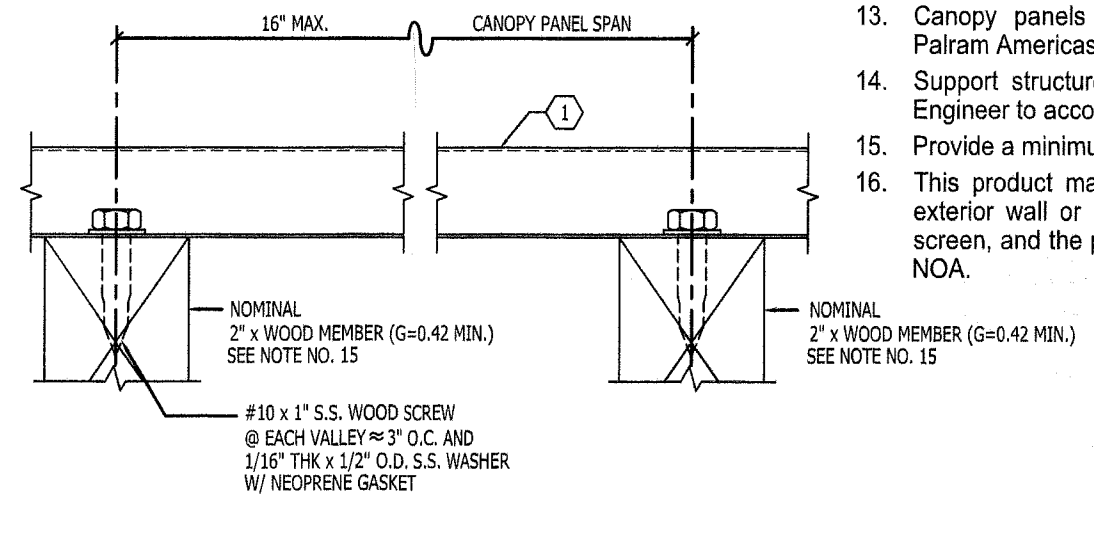
**3 SIDE LAP ON PURLIN**  
SCALE: HALF SIZE



**4 END LAP DETAIL**  
SCALE: HALF SIZE



**5 ALUM. BEAM SUPPORT**  
SCALE: HALF SIZE



**6 WOOD BEAM SUPPORT**  
SCALE: HALF SIZE

**GENERAL NOTES:**

1. These Product Evaluation Documents (PEDs) represent a Canopy Panel System analyzed with provision set for the issuance of a Notice of Acceptance (NOA) by Miami-Dade County Department of Regulatory and Economic Resources, Product Control Section. These documents comply with the 2017 Florida Building Code, 6th Edition, High Velocity Hurricane Zone provisions.
2. To verify that anchors as tested are not overstressed, anchors are analyzed with no allowable stress increase.
3. Reference these documents using positive and negative wind loads in accordance with the governing code and wind velocity. Allowable loads shown here are based on testing. Ultimate loads calculated per ASCE 7-10 shall be multiplied by 0.6 when referencing these documents.
4. These PEDs are generic and do not include information for site-specific application of this canopy panel system.
5. Use of the PEDs shall comply with Chapter 61G15-23 of the Florida Administrative Code.
6. These PEDs are suitable to be applied by the Contractor provided the Contractor does not deviate from the conditions detailed herein and the Contractor verifies that the existing structure does not deviate in either form or material from the structural substrates detailed herein.
7. Any modifications or additions to these PEDs will void the PEDs.
8. Each Canopy Panel assembly shall be permanently labeled as follows:

**Palram Americas Inc.**  
**Kutztown, PA**  
**Miami-Dade County Product Approved**

9. This product is designed and tested to comply with the following ASD Design Loads:

Deflection Criteria	L/80	L/180
Live Load	+ 30.0 psf	+ 30.0 psf
Positive Wind Load	+ 57.2 psf	+ 33.8 psf
Negative Wind Load	- 86.8 psf	- 33.8 psf

10. Canopy panels shall be used over a minimum of three continuous spans.
11. Uplift load capacity is dependent on the washers used in the connection to the support structure. Washers shall be as noted on drawing.
12. Maximum allowable canopy panel spans are based on TAS 202 tests performed at Construction Testing Corporation (CTC). Reference CTC Report No. 97-035 and 08-011. A factor of safety for positive test loads is 3.0 and negative test loads is 2.0.
13. Canopy panels shall be corrugated polycarbonate as manufactured by Palram Americas, Inc. with a profile as shown on Detail 1.
14. Support structure shall be designed by a Florida Registered Professional Engineer to accommodate the appropriate loads for a specific installation.
15. Provide a minimum roof pitch of 1/4" per foot for drainage.
16. This product may be used on a building provided it does not breach the exterior wall or building envelope and have no enclosed sides, other than screen, and the polycarbonate material complies with the associated material NOA.

PRODUCT REVISED  
as complying with the Florida  
Building Code  
Acceptance No 18-0328.03  
Expiration Date 08/28/2023  
By *Heidi A. Nelson*  
Miami-Dade Product Control

**KNEZEVICH CONSULTING**

**KNEZEVICH CONSULTING, LLC**  
1600 S. Federal Hwy., Suite 961 \* Pompano Beach, FL 33062  
T 954.772.6224 \* F 954.320.6451 \* COA 27988  
website: www.knezevich.com  
Copyright © 2018 Knezevich Consulting, LLC

Corrugated Polycarbonate Canopy Panel

**PALRAM Americas Inc.**  
9735 Commerce Circle  
Arcadia West Industrial Park  
Kutztown, PA 19530, USA  
Tel: (1) 610-285-9918  
Fax: (1) 610-285-9928

revisions

no.	date	by	description
1	03/26/18	JWK	PREVIOUS DRAWING NUMBER KC18-006

**J.W. Knezevich**  
Professional Engineer  
FL License No.: PE 41961

drawn by *JWK* scale *AS NOTED*

date *03/26/2018*

drawing no. **KC18-0219**

sheet 1 of 1

*3/26/18*