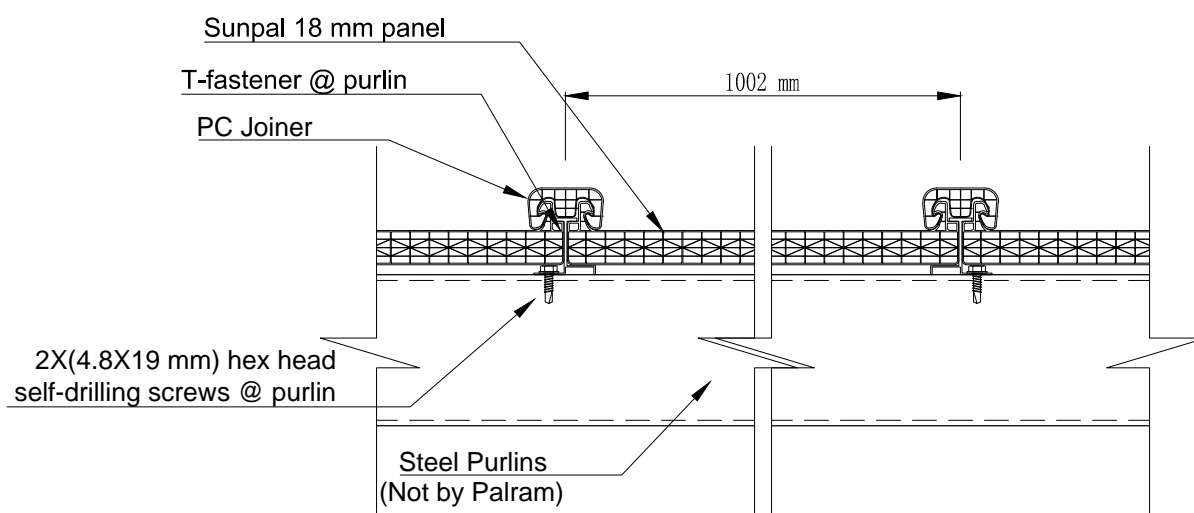


Remark : The detail must to be approved by structural engineer .

## Sunpal 10mm typical roof installation

1:4



Remark : The detail must to be approved by structural engineer .

## Sunpal 18mm typical roof installation

1:4



Palram Industries (1990) Ltd.  
 Technical Support Department  
 Ramat Yohanan 30035, Israel  
 Tel ▶ 972-4-8459900  
 Fax ▶ 972-4-8444012  
 E-Mail ▶ Palram@palram.com  
 Website ▶ www.palram.com

**Project Name :**

**Drawing Name:**  
**Sunpal typical roof installation**

**Drawn By:**  
**Alexey Panfilov**

Date	Revision	App. By
15.6.15	A	Tal Furman

**Scale: 1:4**      A3